

Lojer Merivaara Baby Crib 381

Safe and adjustable infant bed



Main features:

1. Safe and sturdy
2. Easy and light to move
3. Easy to keep clean

Infant bed Baby Crib 381 is a handy aid for the nursing of newborns. The crib can be positioned across the bed of the mother, thus allowing convenient access to the baby. The large Ø100 mm castors make the crib easy to move and they are equipped with brakes (2 pcs) to hold the crib safely in place. Trendelenburg and anti-Trendelenburg adjustments are stepless.

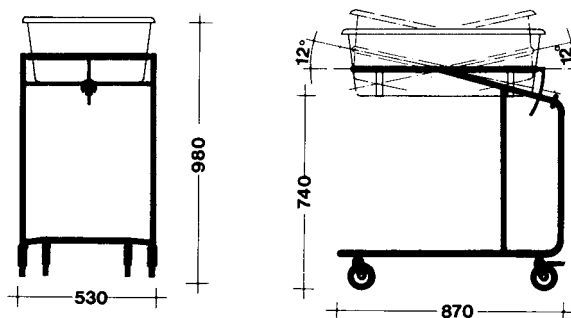
The baby Crib 381 is light to handle and easy to clean. Baby Cribs can be stacked together for transportation or storage. The frame is chrome plated and the crib of transparent acrylic.

LOJER[®] *For easy care*

Technical data and features	
Length	870 mm
Height	980 mm
Width	530 mm
Safe Working Load (SWL)	15 kg
Trendelenburg	12°
Anti-Trendelenburg	12°
Castors	Ø100 mm (2 lockable)
Width of mattress base	392 mm
Weight	11 kg
Other features	Label pocket
Country of manufacture	Finland
CE marked	Yes

Other accessories:

- Hygiene mattress
- Metal net accessory basket at the bottom of the bed



© Lojer Group 2020. All Rights reserved | Lojer Group, Putajantie 42, 38210 Sastamala | Tel. + 358 (0) 10 830 6700 | info@lojer.com | www.lojer.com

The story of Lojer Group dates back to 1919 when Vammalan Konepaja was founded. In the early years, the company repaired f.ex. bicycles. Today, the company is the largest manufacturer of medical furniture in the Nordic countries and our products are used in 115 countries.