

# Capre MC Medical Chair

Patient comfort during demanding procedures like cytostatic and dialysis treatments



Product pictured with optional accessories.



Watch a video  
<http://bit.ly/capretuoli>



Main features:

1. Modern solution to support the demanding treatments without the need of traditional hospital bed
2. An easy-to-use adjustments and pre-programmed positions
3. An eye-catching design and anatomically shaped upholstery enhance maximum patient comfort

The luxurious Capre multipurpose chair has been designed together with medical professionals to fulfil the demands of today's healthcare processes in demanding procedures such as cytostatic and dialysis treatments. The chair is used instead of the traditional hospital bed to improve patient comfort during treatments. The Capre chair features pleasantly contoured, modern upholstery, individual and easy to use adjustment possibilities (with up to five motors) and many optional built-in comforts, such as a tablet pc stand and reading light. All of this combines to improve patients' quality of life during treatments, whilst also improving the quality image of the healthcare facility.

The control system allows the adjustment of the chair height, back section, seat angle and leg section. Both the head section and the leg section also feature a length adjustment mechanism. The chair features a Trendelenburg position as well as three pre-programmed treatment positions (chair, beach chair and flat lying surface) and a user memory position in which the customer's own settings can be stored. The chair can be set, for example, to a lying down or resuscitation position by one press of a button. Standard multi-function armrests are height and angle adjustable as well as rotated. Optional sampling armrests are convenient for blood sampling, thanks to it wider, longer, and contoured shape of armrest upholstery. Motorised one-piece leg section with optional foot support gives extra assistance in dialysis treatments.

**LOJER**® For easy care

## Technical data and features

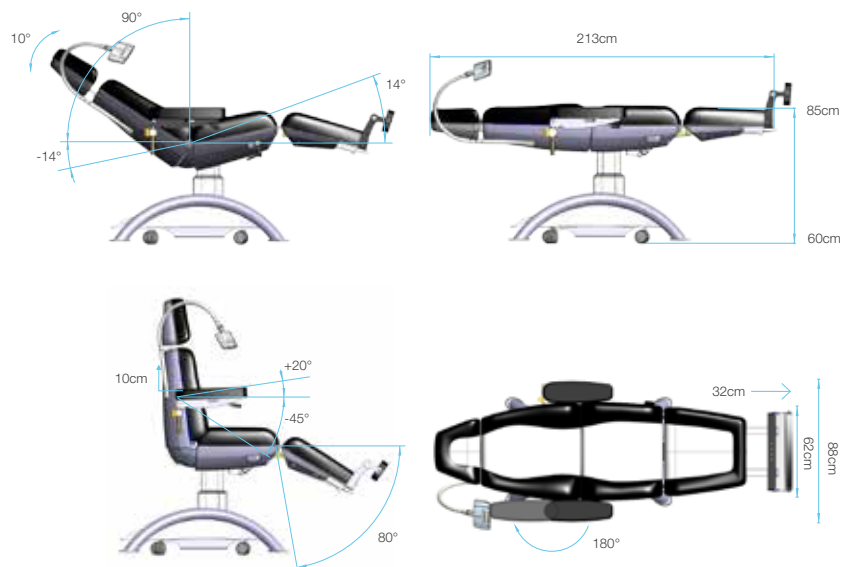
Total length	186 - 213 cm
Patient surface length	186 - 213 cm
Total width	880 mm
Patient surface width	620 mm
Total weight	100 kg
Height adjustment	60 - 85 cm
Head section adjustment	10°, length adjustment 10 cm
Back section adjustment	-14° - +90
Back section length	600 mm
Seat adjustment	14°
Seat width	620 mm
Leg section adjustment	-80° - 0°
Arm support length	42 cm
Arm support adjustment	Height adjustment 10 cm, angle adjustment -45° to +20° and rotation 0° - 180°
Electric Trendelenburg	max. 14°
Central locking castors	Ø75mm
Other standard features	Motorised one-piece leg section   USB charger   Hand control with flexible arm or hand control with spiral cable   Pre-programmed positions and one for user to decide   White or grey cover for the base frame, under the seat and back section
Upholstery	Anatomically contoured Future -upholstery, several colour options
Safe Working Load (SWL)	160 kg
CE-marking	Yes
Warranty	2 years
Country of Manufacture	Finland

### Factory installed options:

- Electric foot control for height and back section adjustment
- Electric Trendelenburg; fixed foot control for Trendelenburg adjustments
- All foot controls (featuring both foot control for height and back section + fixed control for Trendelenburg)
- Battery for back-up
- Foot support for the standard motorised one-piece leg section

### Other accessories:

- Sample arm support with anatomic upholstery (length 60 cm)
- Neck pillow
- Breathing hole
- Black tray
- Flexible tablet holder
- LED light
- IV-pole



**LOJER**® For easy care